

Performing by design

Maya

Coronary PTCA Catheter



The ultimate design
for coronary intervention



State of the art technology & expertise for:

- > Dilation balloon catheter
- > Stent delivery system
- > Drug eluting platform



ARTHEsys

Committed to excellence in developing Arterial Therapeutic Systems

Maya

Coronary PTCA Catheter

4th Generation Arthesys Catheter

- > Crossability: reduced tip & balloon profile
- > Pushability: improved tensile resistance
- > Trackability: shorter & redesigned tip

Redesigned Balloon

- > New balloon material
- > Reliable & uniform surface
- > Low compliance < 8%

New platform specifications

- > 2 distinct crimping profiles
- > Choice between 2 hypotubes
- > New tip colors

Length	Diameter												
	1.50	2.00	2.25	2.50	2.75	3.00	3.25	3.50	3.75	4.00	4.50	5.00	
8	✓	✓	✓	✓	✓	✓	✓	✓	✓	✓	✓	✓	✓
10	✓	✓	✓	✓	✓	✓	✓	✓	✓	✓	✓	✓	✓
15	✓	✓	✓	✓	✓	✓	✓	✓	✓	✓	✓	✓	✓
20	✓	✓	✓	✓	✓	✓	✓	✓	✓	✓	✓	✓	✓
25	✓	✓	✓	✓	✓	✓	✓	✓	✓	✓	✓	✓	✓
30	✓	✓	✓	✓	✓	✓	✓	✓	✓	✓	✓	✓	✓
35	✓	✓	✓	✓	✓	✓	✓	✓	✓	✓	✓	✓	✓
40	✓	✓	✓	✓	✓	✓	✓	✓	✓	✓	✓	✓	✓
45	✓	✓	✓	✓	✓	✓	✓	✓	✓	✓	✓	✓	✓



✓ : available

Customized sizes are available for stent & drug delivery platforms

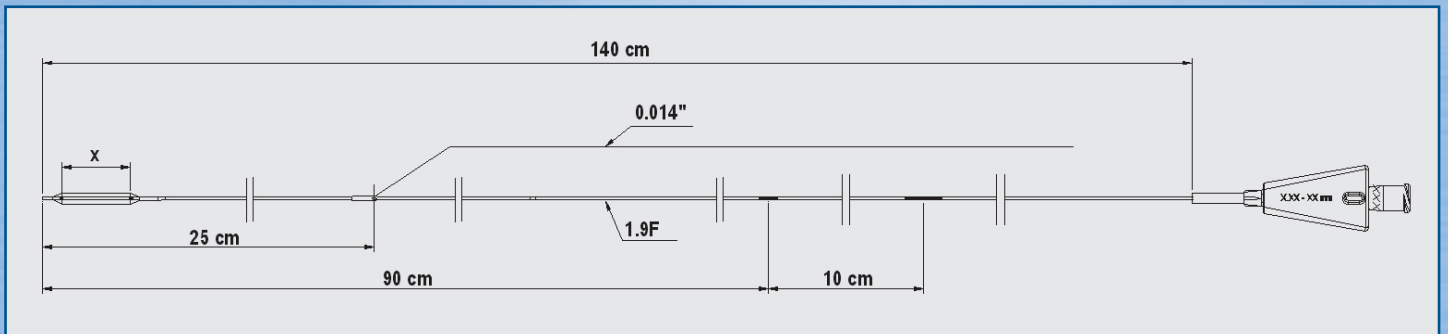
Pressure (bars)	Balloon diameter (mm)											
	1.50	2.00	2.25	2.50	2.75	3.00	3.25	3.50	3.75	4.00	4.50	5.00
4	1.47	1.96	2.21	2.45	2.70	2.94	3.19	3.43	3.68	3.92	4.41	4.90
5	1.49	1.98	2.23	2.48	2.73	2.97	3.22	3.47	3.72	3.96	4.46	4.95
6*	1.50	2.00	2.25	2.50	2.75	3.00	3.25	3.50	3.75	4.00	4.50	5.00
7	1.52	2.02	2.27	2.52	2.77	3.03	3.28	3.53	3.78	4.03	4.54	5.04
8	1.53	2.03	2.28	2.54	2.79	3.05	3.30	3.55	3.81	4.06	4.57	5.08



14	1.62	2.12	2.39	2.65	2.92	3.18	3.45	3.71	3.98	4.24	4.77	5.30
15	1.64	2.14	2.41	2.67	2.94	3.21	3.47	3.74	4.01	4.27	4.81	5.34
16**	1.65	2.15	2.42	2.69	2.96	3.23	3.49	3.76	4.03	4.30	4.84	5.38
17	1.67	2.17	2.44	2.71	2.98	3.25	3.52	3.79	4.06	4.33	4.88	5.42
18	1.68	2.18	2.45	2.73	3.00	3.27	3.54	3.82	4.09	4.36	4.91	5.45

* Nominal Pressure (NP)

** Rated Burst Pressure (RBP)



4 Rue René Razel - 91400 SACLAY - FRANCE
Tel: + 33 (0)1 4111 8777 - info@arthesys.com

Take a look at our most up-to-date developments and latest news
<http://www.arthesys.com>